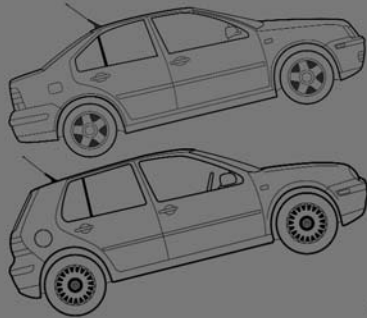


Volkswagen Jetta, Golf, GTI

Service Manual

1999, 2000, 2001, 2002, 2003
 1.8L turbo, 1.9L TDI diesel,
 2.0L gasoline, 2.8L VR6



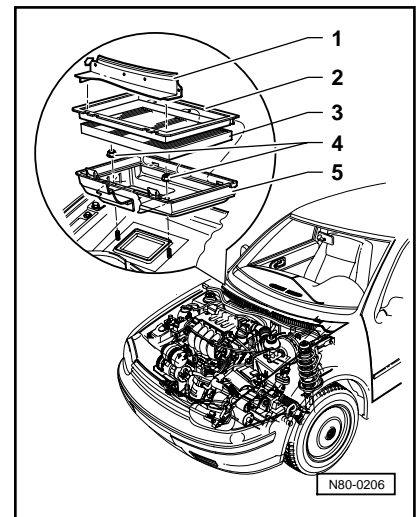
Volkswagen Jetta, Golf, GTI Service Manual: 1999–2003 1.8L turbo, 1.9L TDI diesel, 2.0L gasoline, 2.8L VR6

Retail price: \$99.95
 Bentley Stock No. VG03
 ISBN 0-8376-0323-4
 VWoA Part No. LPV 800 119
 1632 pages, 2495 photos,
 illustrations, and diagrams
 Softcover, 8 3/8" x 11"



Complete engine coverage; from basic service (engine cover removal shown above) to crankshaft and cylinder block repair.

15a Cylinder Head and Valvetrain (2.0L engine)



Fully detailed exploded views including dust and pollen filter replacement.

80 Heating and Ventilation

Bentley Publishers is proud to announce the publication of the *Volkswagen Jetta, Golf, GTI Service Manual: 1999-2003*. This repair manual will cover the late 1999 through 2003 model year Jetta, Golf, and GTI built on the Volkswagen "A4" platform. These are currently referred to as the "New Jetta" or "New Golf". Bentley repair manuals provide the highest level of clarity and comprehensiveness for all service and repair procedures. If you're looking for better understanding of your Volkswagen, look no further than Bentley.

Features:

- Maintenance procedures for everything from routine oil changes to ribbed V-belt replacement.
- Engine and cylinder head service and reconditioning, including timing belt (4-cylinder) and timing chain (6-cylinder) repair.
- Explanation of Motronic 5.9, ME 7.1/7.5 and Diesel Turbo Direct Injection (TDI) engine management systems and OBD II (On-Board Diagnostics II).
- Emission control tests, repairs and adjustments, including Exhaust Gas Recirculation (EGR) and Secondary Air Injection (AIR) system.
- Drivetrain maintenance, troubleshooting, adjustment and repair, including hydraulic clutch, gearshift linkage, and axles.
- Suspension component replacement, including front struts, rear shocks, rear coil springs, and wheel bearing/hub units.
- Repair information for ABS and non-ABS brake systems.
- Heating and air conditioning repair, including A/C component replacement and the Climatronic system.
- Body adjustment and repairs, including front and rear doors, fenders, front radiator support and sunroof.
- Wiring schematics for all circuits, including fuse/relay location, and a general explanation of electrical circuitry. Also includes wiring diagrams for wagon models from January 2001.
- Scan tool section with Volkswagen OBD II diagnostic trouble codes, including SAE-defined OBD II P-codes and control module coding tables.
- Comprehensive Volkswagen factory tolerances, wear limits, adjustments, and tightening torques that you've come to expect from Bentley manuals.

Engines covered:

- 1.8L turbo gasoline (engine code AWD, AWW, AWP)
- 1.9L TDI diesel (engine code ALH)
- 2.0L gasoline (engine code AEG, AVH, AZG)
- 2.8L gasoline (engine code AFP, BDF)

Transmissions covered:

- Manual (remove, install, external service)
 - 02J 5-speed
 - 02M 6-speed
- Automatic (remove, install, external service)
 - 01M 4-speed
 - 09A 5-speed